



Illustrated Parts Manual

Model Number:

TBL-455/500

BACKPACK BLOWER

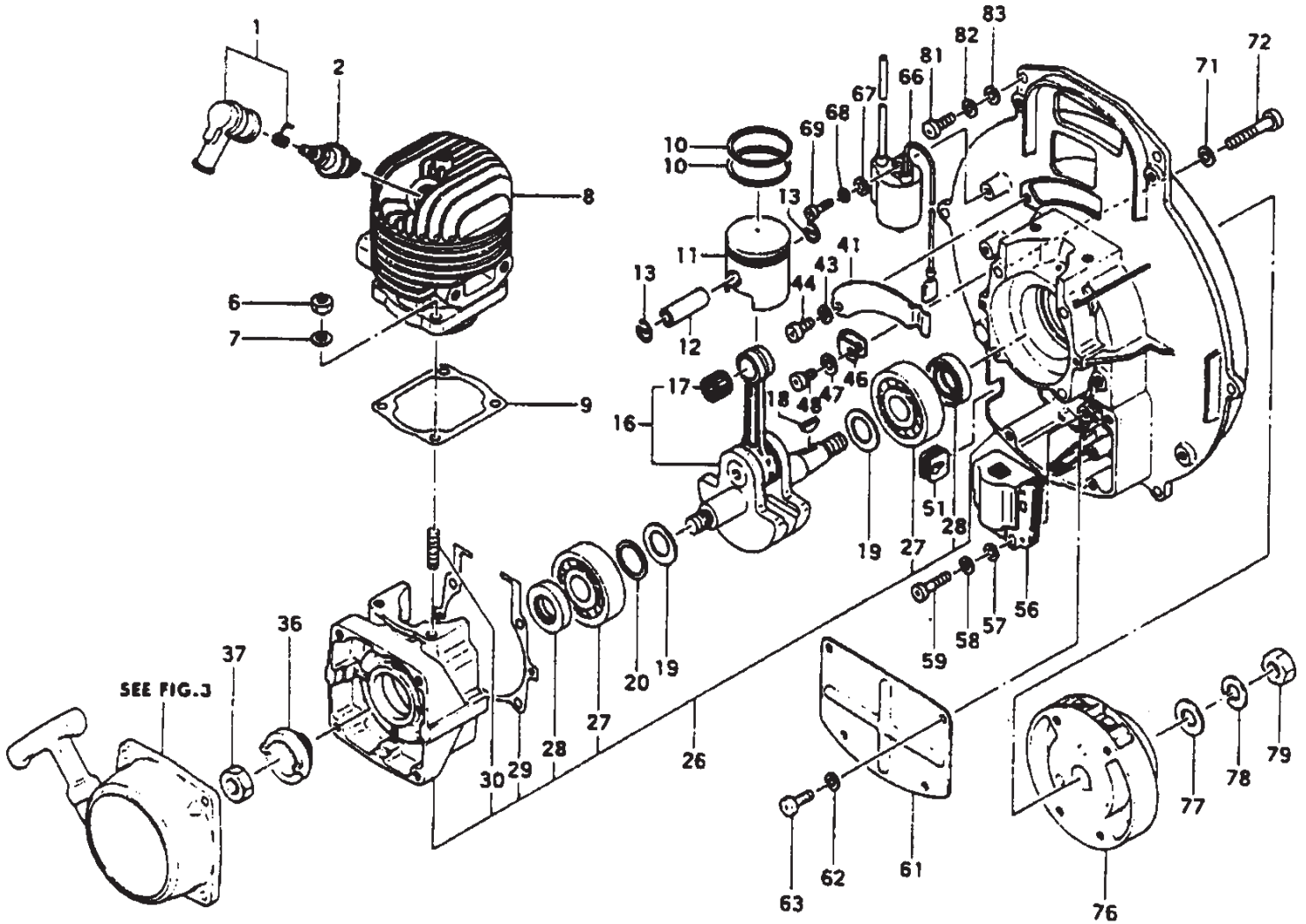
P/N 11136

Rev 001

Date 5-4-07



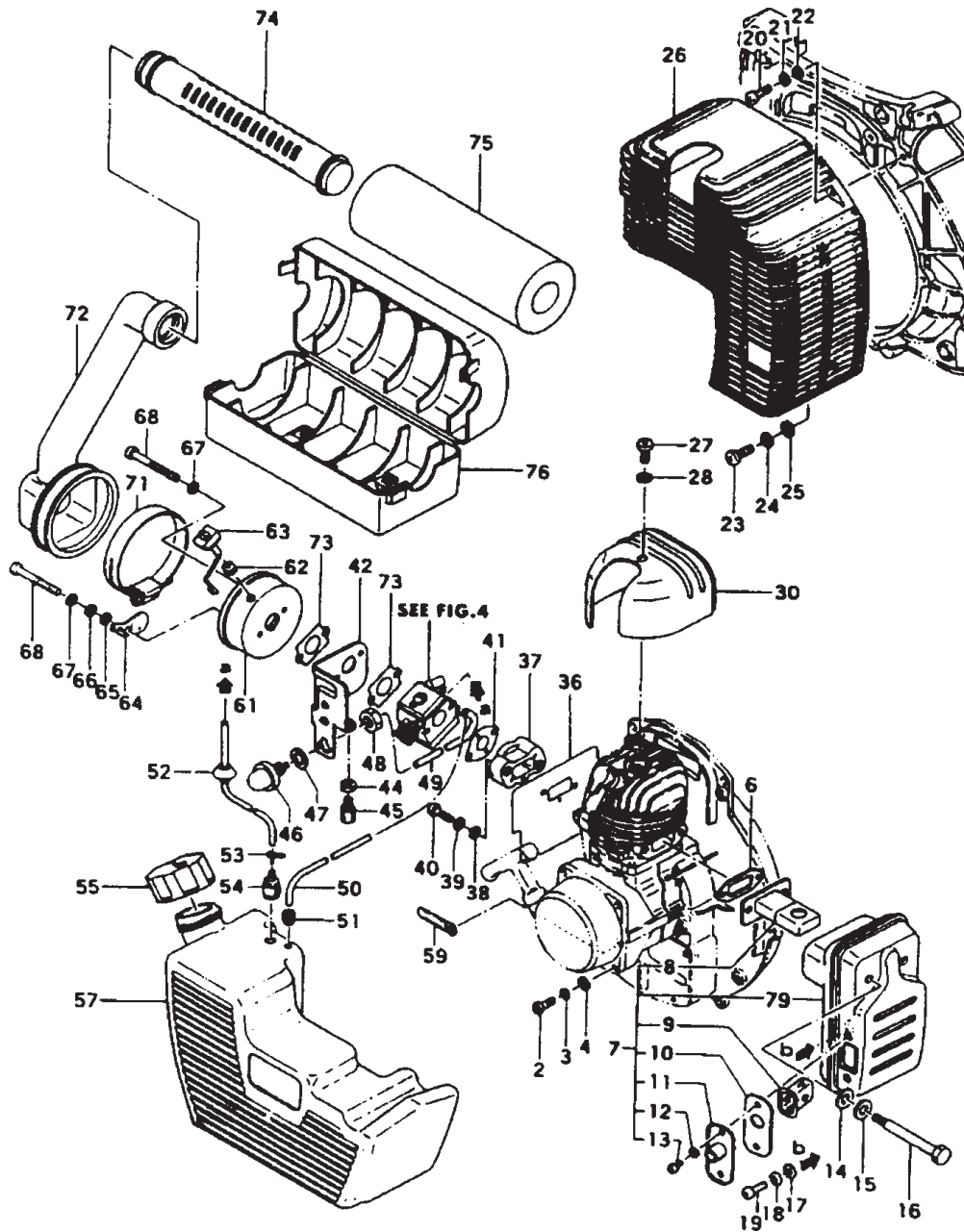
Nikko Tanaka Engineering U.S.A.,Ltd. • 1028 4th Street SW, Bldg B • Auburn, WA 98001 • Phone: (253) 333-1200 • Fax: (253) 333-1212



ENGINE / CYLINDER, PISTON, CRANKSHAFT • FIGURE 1

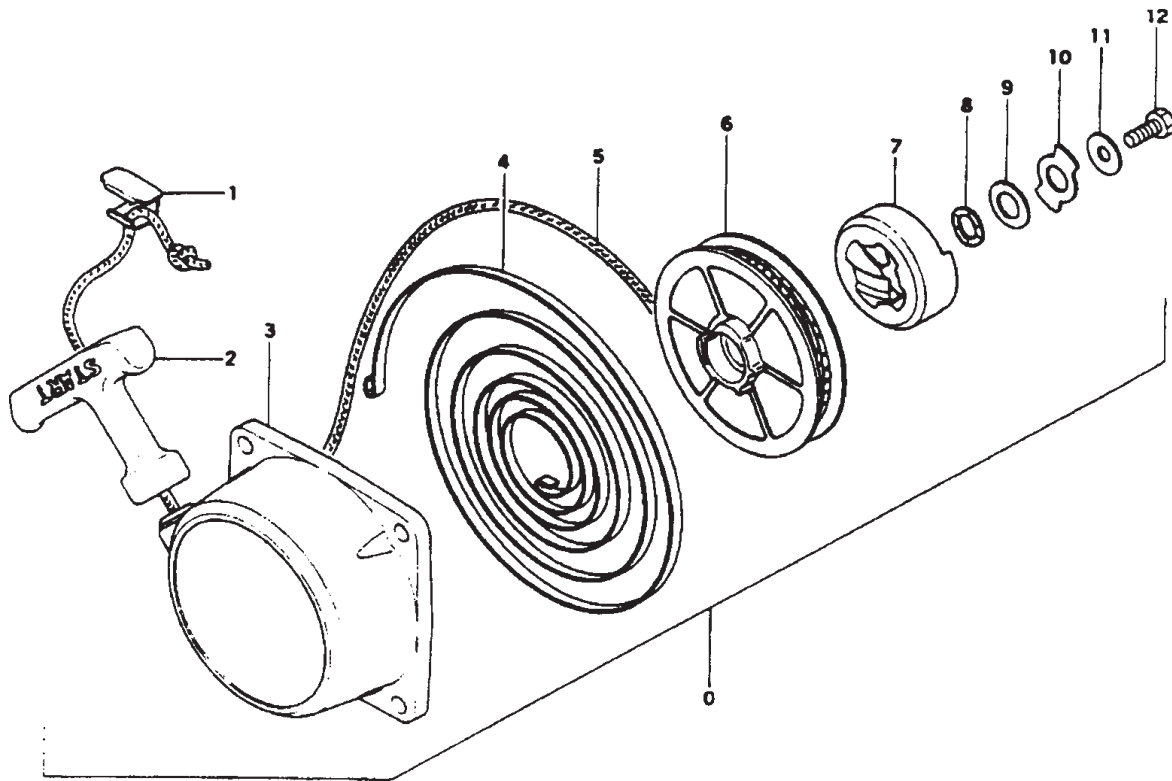
ITEM	PART NUMBER	DESCRIPTION	QTY	COMMENTS
1-01	15711666900	CAP, SPARK PLUG ASS'Y	1	
1-02	01802233200	PLUG, SPARK	1	~J129280
1-02	0181160021	PLUG, SPARK	1	L174976~
1-06	99101060011	NUT, 6	4	
1-07	99210060012	S. WASHER 6	4	
1-08	00205015201	CYLINDER	1	
1-09	01702100202	GASKET, CYLINDER	1	
1-10	04105000200	RING, PISTON	2	
1-11	03105004810	PISTON	1	
1-12	0370100020	PIN, PISTON	1	
1-13	03905004200	CIRCLIP, PISTON PIN	2	
1-16	04605004831	CRANKSHAFT	1	
1-17	99962101004	BEARING, NEEDLE, F1010B	1	
1-18	06802000200	KEY, WOODRUFF, 3X13X5	1	
1-19	07010700200	WASHER, CRANKSHAFT	2	
1-20	07111109200	SHIM, 17.7X23X.05	V	
1-20	07111109210	SHIM, 17.7X23X.10	V	
1-20	07111109220	SHIM, 17.7X23X.15	V	
1-20	07111109230	SHIM, 17.7X23X.20	V	
1-20	07111109240	SHIM, 17.7X23X.30	V	
1-26	07205015902	CRANKCASE, ASS'Y	1	
1-27	99961630307	BEARING	2	~G095400
1-27	99961630399	BEARING, BALL	2	G095401~
1-28	99966173000	SEAL, OIL, #17307	2	
1-29	09005004211	GASKET, CRANKCASE	1	
1-30	10002000200	BOLT, STUD 6X24	4	
1-36	79805015200	PULLEY, STARTER	1	
1-37	99111100013	NUT, 10	1	
1-41	66505004201	PLATE, CASE	1	
1-43	99210050012	S. WASHER 5	1	
1-44	99011050101	SCREW 5X10	1	
1-46	19800701201	CLAMP, CORD	1	
1-47	99201050011	WASHER 5	1	
1-48	99011050101	SCREW 5X10	1	
1-51	2030604A202	GROMMET	1	
1-56	1622151980	EXCITER	1	
1-57	99200050011	SMALL WASHER 5	2	
1-58	99210050012	S. WASHER 5	2	
1-59	99011050221	SCREW, 5X22	2	
1-61	19505015201	COVER, COIL	1	
1-62	99210050012	S. WASHER 5	4	
1-63	99011050101	SCREW, 5X10	4	
1-66	16721519802	COIL, IGNITION	1	

ITEM	PART NUMBER	DESCRIPTION	QTY	COMMENTS
1-67	99201040011	WASHER,4	2	
1-68	99210040012	S. WASHER 4	2	
1-69	99011040151	SCREW,4X15	2	
1-71	992-10060-012	S.WASHER 6	4	
1-72	99011060351	SCREW,6X35	4	
1-76	15521519800	ROTOR,MAGNETO	1	
1-77	99200100011	WASHER,10	1	
1-78	99210100012	WASHER,S,10	1	
1-79	99111110011	NUT 10	1	
1-81	99011050151	SCREW,5X15	6	
1-82	99210050012	S.WASHER 5	6	
1-83	99201050011	WASHER 5	6	

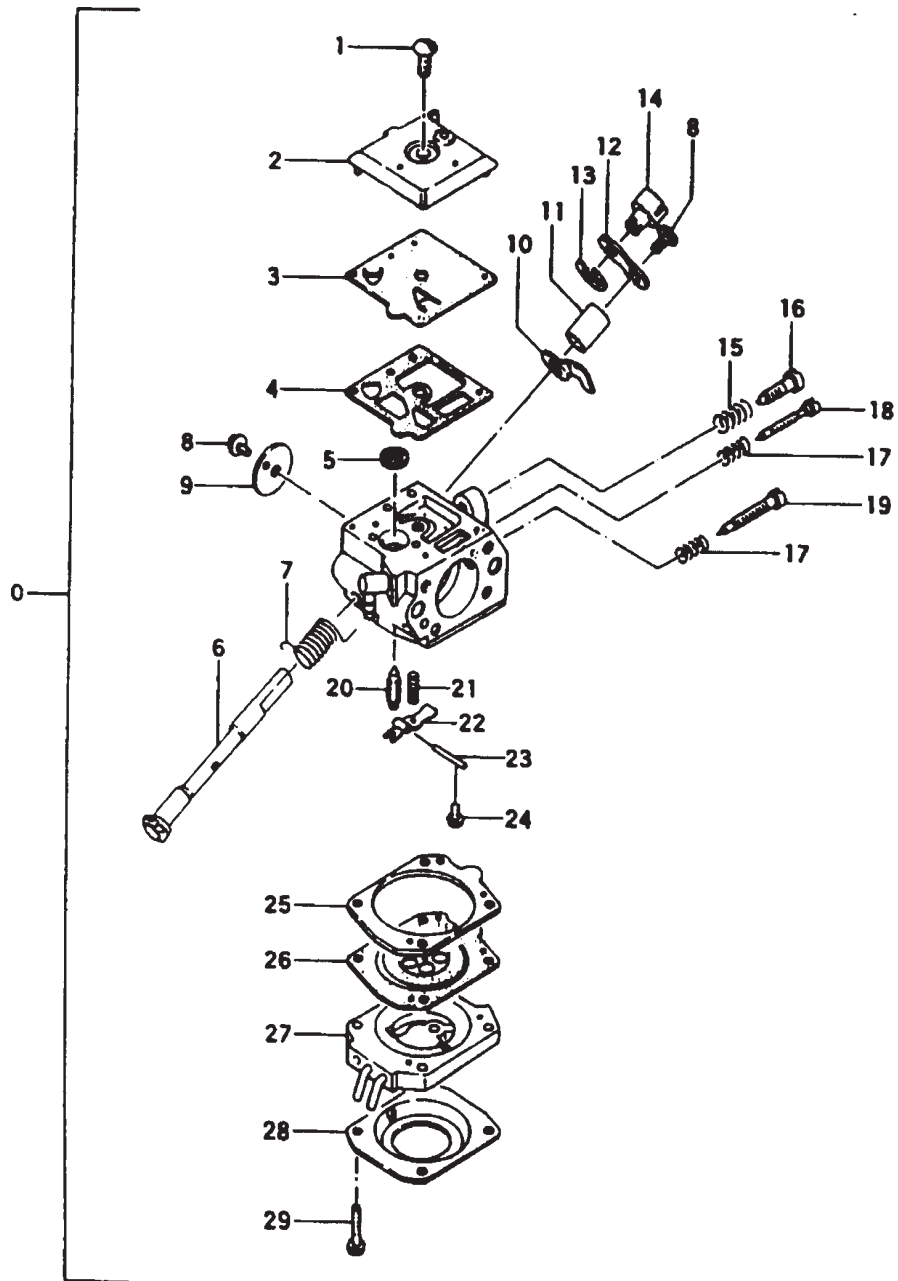


ITEM	PART NUMBER	DESCRIPTION	QTY	COMMENTS
2-02	99011050161	SCREW,5X16	4	
2-03	99210050012	S.WASHER 5	4	
2-04	99201050011	WASHER 5	4	
2-06	7370500420	GASKET	1	
2-07	70505008900	MUFFLER,ASS'Y	1	
2-08	71905008800	PIPE,MUFFLER	1	
2-09	73205008200	ARRESTER,SPARK	1	
2-10	7510500820	GASKET,TAIL PIPE	1	
2-11	72105008801	PIPE,TAIL	1	
2-12	99210040012	WASHER,S,4	2	
2-13	99011040101	SCREW,4X10	2	
2-14	75105004212	GASKET,MUFFLER	2	
2-15	99201080011	WASHER 8	2	
2-16	75005004201	BOLT,SPECIAL	2	
2-17	99201060011	WASHER 6	1	
2-18	99210060012	S.WASHER 6	1	
2-19	99011060121	SCREW,6X12	1	
2-20	99011050201	SCREW,MX20	2	
2-21	99210050012	S.WASHER 5	2	
2-22	99201050011	WASHER 5	2	
2-23	99011060201	SCREW,6X20	1	
2-24	99210060012	S.WASHER 6	1	
2-25	99201060011	WASHER,6	1	
2-26	73805015200	PROTECTOR,MUFFLER	1	
2-27	99011060101	SCREW,6X10	1	
2-28	99210060012	WASHER,S,6	1	
2-30	01605004200	SHROUD,CYLINDER	1	
2-36	40305015211	GASKET	1	
2-37	40405015801	INSULATOR,CARBURETOR	1	
2-38	99201050011	WASHER,5	2	
2-39	99210050012	S.WASHER 5	2	
2-40	99011050251	SCREW,5X25	2	
2-41	4020174020	CARB GASKET	1	
2-42	87805015200	BRACKET	1	
2-44	99101060013	NUT,6	1	
2-45	89401401201	RECEIVER,OUTER	1	
2-46	44225016801	PUMP,PRIMING	1	
2-47	99220100010	WASHER,10 INNER TOOTHED	1	
2-48	99111100011	NUT,10	1	
2-49	70002504100	PIPE,FUEL,2.5X4X100	1	
2-50	70002504095	PIPE,FUEL,2.5X4X95	1	
2-51	53432710200	GROMMET,FUEL PIPE	1	
2-52	22301251901	PIPE,FUEL,3X5X230	1	~F132100
2-52	22305015900	PIPE,FUEL,3X5X280	1	F132101~
2-53	68004001200	CLIP,5.2	1	
2-54	67501630900	FILTER,FUEL	1	
2-55	5950502490	CAP,TANK	1	
2-57	5913131081	FUEL TANK	1	

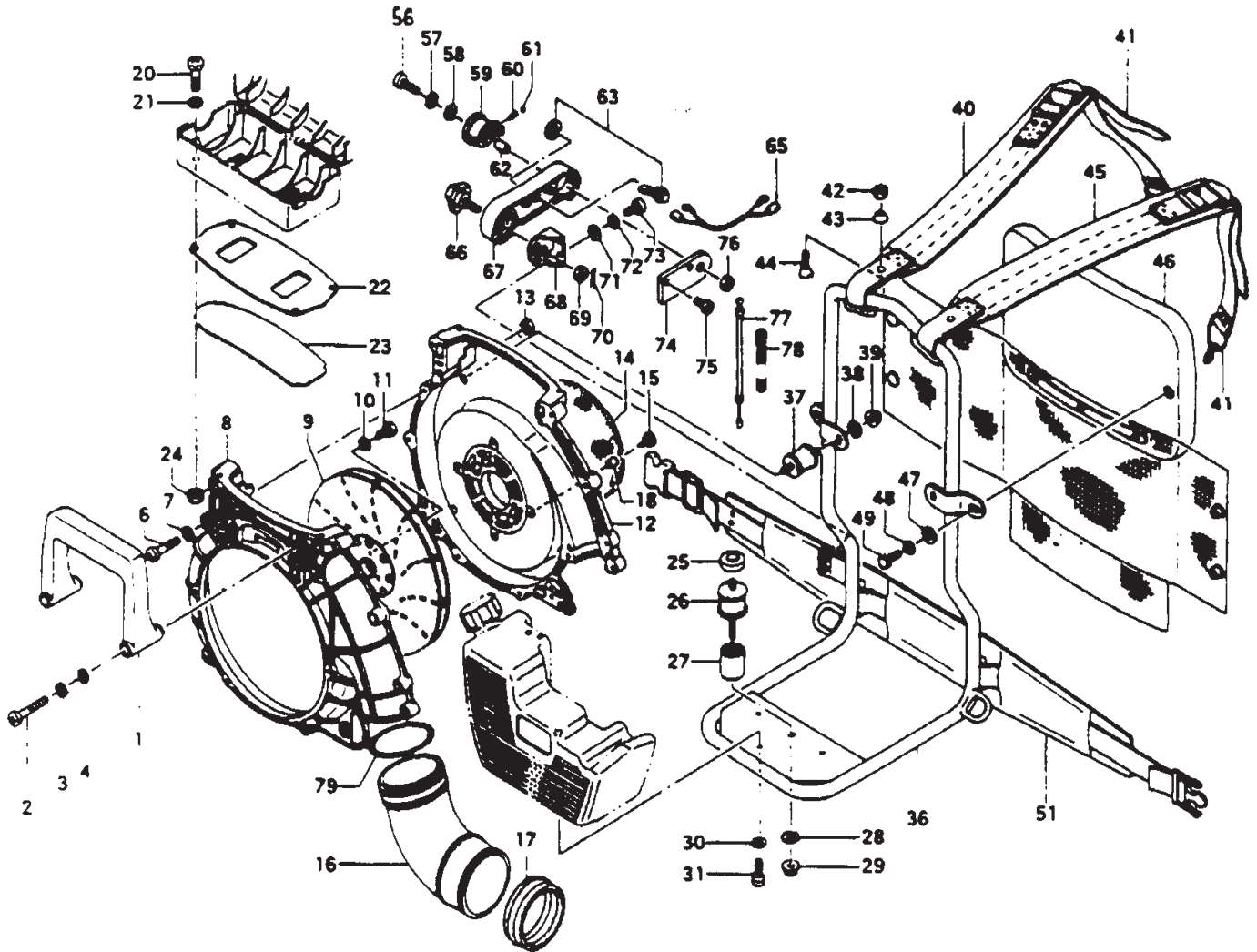
ITEM	PART NUMBER	DESCRIPTION	QTY	COMMENTS
2-59	19805015800	CLAMP,CORD	1	
2-61	43605015200	BASE,CLEANER	1	
2-62	20105015200	SEAL,DUST	1	
2-63	52305015801	ROD,CHOKE	1	
2-64	52805015201	VALVE,CHOKE	1	
2-65	7080501520	SHIM,CHOKE VALVE	1	
2-66	99200050011	WASHER,SMALL,5	1	
2-67	99210050012	WASHER,S,5	2	
2-68	99011050501	SCREW,5X50	2	
2-71	46605015801	BAND	1	
2-72	43705015200	TUBE,CLEANER	1	
2-73	43105015201	GASKET CLEANER	2	
2-74	42505015200	CORE,CLEANER	1	
2-75	44405015200	ELEMENT,CLEANER	1	
2-76	42333111201	BODY, CLEANER	1	
2-79	70605008801	MUFFLER	1	



ITEM	PART NUMBER	DESCRIPTION	QTY	COMMENTS
3-00	76205015901	STARTER,RECOIL ASSY	1	
3-01	81506000200	METAL,STARTER HANDLE	1	
3-02	78504222020	HANDLE,STARTER	1	
3-03	77205015800	BODY,RECOIL STARTER	1	
3-04	77906000200	SPRING,RECOIL	1	
3-05	78305004200	ROPE,STARTER,3.8X1070	1	
3-06	76905015200	REEL,STARTER ROPE	1	
3-07	7880501521	STARTER,PAWL	1	
3-08	80105015200	WASHER,STARTER PULLEY	1	
3-09	99201080011	WASHER,8	1	
3-10	8370501521	FRICITION PLATE	1	
3-11	82205015200	SHIM,STARTER PULLEY	1	
3-12	8390501520	BOLT SET	1	



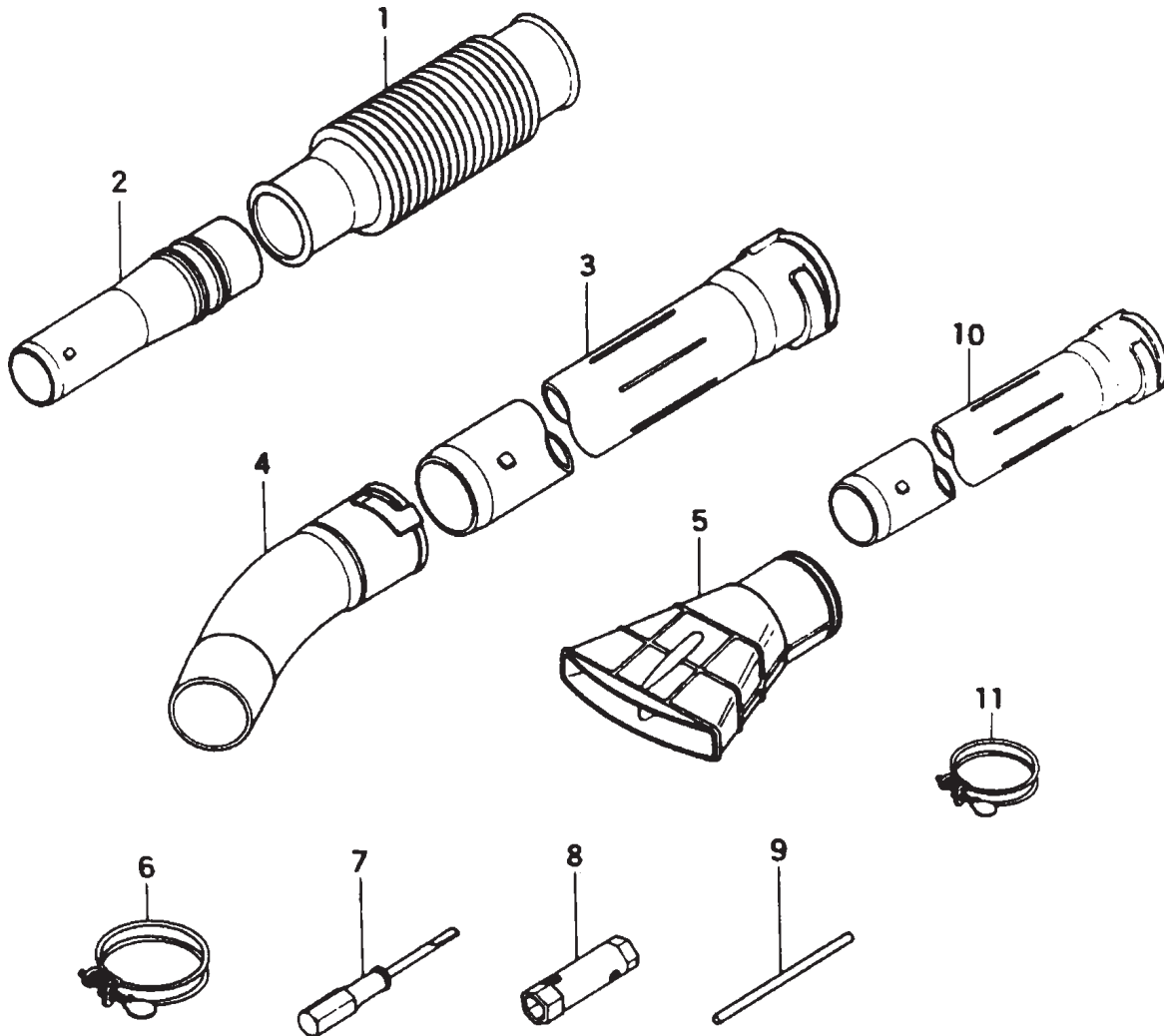
ITEM	PART NUMBER	DESCRIPTION	QTY	COMMENTS
4-00	45525037900	CARBURETOR,ASS'Y	1	
4-01	51425001200	SCREW,SET	1	
4-02	57525012200	BODY,PUMP	1	
4-03	57725012200	GASKET,PUMP	1	
4-04	57625012200	DIAPHRAGM,PUMP	1	
4-05	57825007200	SCREEN,INLET	1	
4-06	46425031800	SHAFT,THROTTLE	1	
4-07	48625035200	SPRING,THROTTLE	1	
4-08	46725003200	SCREW,SHUTTER	2	
4-09	48825001200	VALVE,THROTTLE	1	
4-10	55925012200	PLATE,STOP	1	
4-11	43725031200	SLEEVE	1	
4-12	49125035200	LEVER,THROTTLE	1	
4-13	48925008200	RING,STOP	1	
4-14	53925101200	SWIVEL	1	
4-15	46325032200	SPRING,IDLE ADJUST	1	
4-16	46225032200	SCREW,IDLE ADJUST	1	
4-17	62325032200	SPRING,ADJUST,HI/LOW	2	
4-18	46125035200	SCREW,IDLE ADJUST	1	
4-19	46025035200	SCREW,LOW ADJUST	1	
4-20	6032501220	NEEDLE VALVE	1	
4-21	47725012200	SPRING,VALVE	1	
4-22	47325012200	LEVER,CONTROL	1	
4-23	60525001200	PIN,HINGE	1	
4-24	54625001200	SCREW,SET,HINGE PIN	1	
4-25	47525032200	GASKET,DIAPHRAGM	1	
4-26	47425032800	DIAPHRAGM,METERING	1	
4-27	45425032800	PURGE,AIR	1	
4-28	47625032200	COVER,DIAPHRAGM	1	
4-29	54825012200	SCREW,SET	4	
4-29	54825016200	SCREW,SET	4	



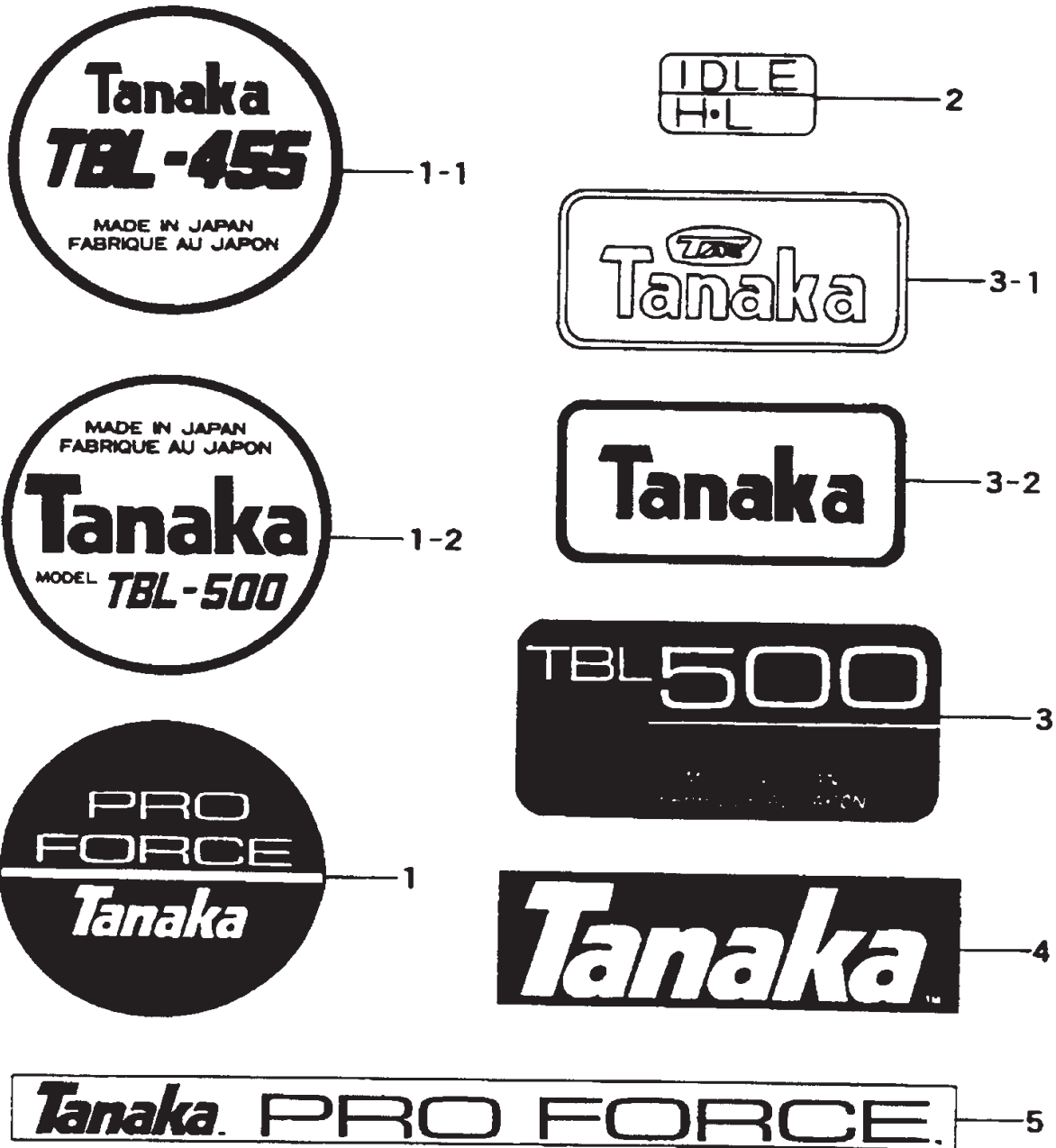
MAIN BODY, THROTTLE, HARNESS • FIGURE 5

ITEM	PART NUMBER	DESCRIPTION	QTY	COMMENTS
5-01	59031310200	HANDLE,CARRYING	1	
5-02	99011080551	SCREW,8X55	2	
5-03	99210080012	WASHER,S,8	2	
5-04	99201080011	WASHER 8	2	
5-06	99011050351	SCREW,5X35	1	
5-07	99201050011	WASHER 5	13	
5-08	01031310800	CASE,FAN	1	
5-08	01031310800	CASE,FAN E	1	
5-09	12731307200	FAN	1	
5-10	99210060012	S.WASHER 6	3	
5-11	99021060161	BOLT,6X16	3	
5-12	01131310200	CASE,FAN,S	1	
5-13	99101050011	NUT,5	1	
5-13	99101050011	NUT,5	1	
5-14	05031307200	SCREEN	1	
5-15	99311050202	SCREW,TAPPING,5X20	4	
5-16	27031310200	PIPE,BLOW	1	
5-17	10031310200	BAND,PIPE	1	
5-18	06031310200	COLLAR	4	
5-20	99011060351	SCREW 6X35	4	
5-21	99201060011	WASHER 6	4	
5-22	59331310200	GASKET,OIL SEAT	1	
5-23	01231310200	PLATE,AIR GUIDE	1	
5-24	99101060011	NUT 6	4	
5-25	34631310200	COLLAR,DAMPER,B	1	
5-26	03031310200	CUSHION	1	
5-27	34531310200	COLLAR,DAMPER A	1	
5-28	99201060011	WASHER 6	1	
5-29	02931307200	FLANGE NUT 6	1	
5-30	99210060012	S.WASHER 6	3	
5-31	99021060101	BOLT,6X10	3	~H128110
5-31	99431060101	SCREW,6X10	3	H128111~
5-36	02031310800	FRAME	1	
5-37	03031307200	CUSHION	2	
5-38	99201060011	WASHER 6	2	
5-39	02931307200	NUT,S,6	2	
5-40	01931310810	HARNESS,SHOULDER LEFT	1	
5-40	03431310800	SHOULDER BELT COMP	1	
5-41	02231310810	HARNESS, SHOULDER RIGHT	2	
5-41	03931310800	HARNESS,SHOULDER LOWER	2	
5-42	99101060011	NUT 6	2	
5-43	02631305200	WASHER	2	
5-44	02531305200	BOLT,S	2	
5-45	03431310800	HARNESS,SHOULDER	1	
5-45	02231310810	HARNESS,SHOULDER RIGHT	1	
5-46	02131310800	PAD,CUSHION	1	
5-47	99201050011	WASHER 5	2	
5-48	99210050012	S.WASHER 5	2	
5-49	99021050121	BOLT,5X12	2	
5-51	03531310900	HARNESS, WAIST ASSY	1	

ITEM	PART NUMBER	DESCRIPTION	QTY	COMMENTS
5-56	99011060251	SCREW,6X25	1	
5-57	99210060012	S.WASHER 6	1	
5-58	99201060011	WASHER 6	1	
5-59	26331310200	LEVER,THROTTLE	1	
5-60	33331310200	SPRING,THROTTLE LEVER	1	
5-61	33431310200	BALL,STEEL 5/32	1	
5-62	25631310200	COLLAR	1	
5-63	16201300900	SWITCH,STOP	1	
5-65	17805015800	CORD,STOP	1	
5-66	33531310800	KNOB,HANDLE	1	
5-67	25031310200	ARM,THROTTLE LEVER	1	
5-68	04031310200	BRACKET,THROTTLE LEVER	1	
5-69	99178080010	NUT,8	1	
5-70	99290200150	PIN,SPLIT	1	
5-71	99201060011	WASHER 6	2	
5-72	99210060012	S.WASHER 6	2	
5-73	99011060161	SCREW,6X16	2	
5-74	24731310200	COVER,THROTTLE LEVER ARM	1	
5-75	99311040102	SCREW,TAPPING,4X10	2	
5-76	99101060011	NUT 6	1	
5-77	88505015800	WIRE,THROTTLE	1	
5-78	16410027000	TUBE,PROTECTION	1	
5-79	99967070020	O-RING,P-70	1	N128111~



ITEM	PART NUMBER	DESCRIPTION	QTY	COMMENTS
6-01	10131310200	PIPE,FLEXIBLE	1	
6-02	10231310200	PIPE,SWIVEL	1	
6-03	10331310200	PIPE,STRAIGHT,LONG	1	
6-04	10431310200	PIPE,BENT	1	
6-05	27331310200	FAN HEAD	1	
6-06	11031310200	CLAMP,WIRE 92	1	
6-07	86420000210	SCREW DRIVER,STRAIGHT	1	
6-08	8262000080	SPANNER	1	
6-09	95120000200	HANDLE,8X120	1	
6-10	30531310200	PIPE,STRAIGHT,SHORT	1	
6-11	11131305200	CLAMP,WIRE 78	1	



ITEM	PART NUMBER	DESCRIPTION	QTY	COMMENTS
7-01	95031310200	DECAL,PRO-FORCE A	1	J129281~
7-01-1	90605015200	DECAL,NAME PLATE	1	~G095400
7-01-2	90605015202	DECAL,TBL-500	1	~J129281
7-02	91605015200	DECAL,CAUTION	1	
7-02	91905004200	DECAL,CAUTION	1	
7-03	90631310200	DECAL	1	J129281~
7-03-1	92933701201	DECAL,SYMBOL	1	~J129280
7-04	91505015200	DECAL,SYMBOL	1	J129281~
7-05	95131310200	DECAL,PRO-FORCE B	1	J129281~